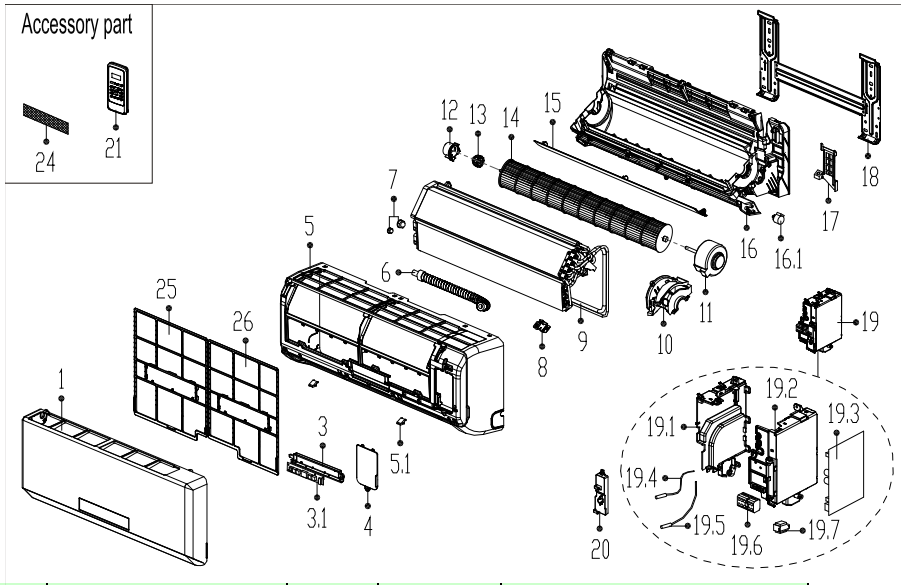


Exploded View

PAC1203711 indoor

220-230V~ 60Hz 1Phase

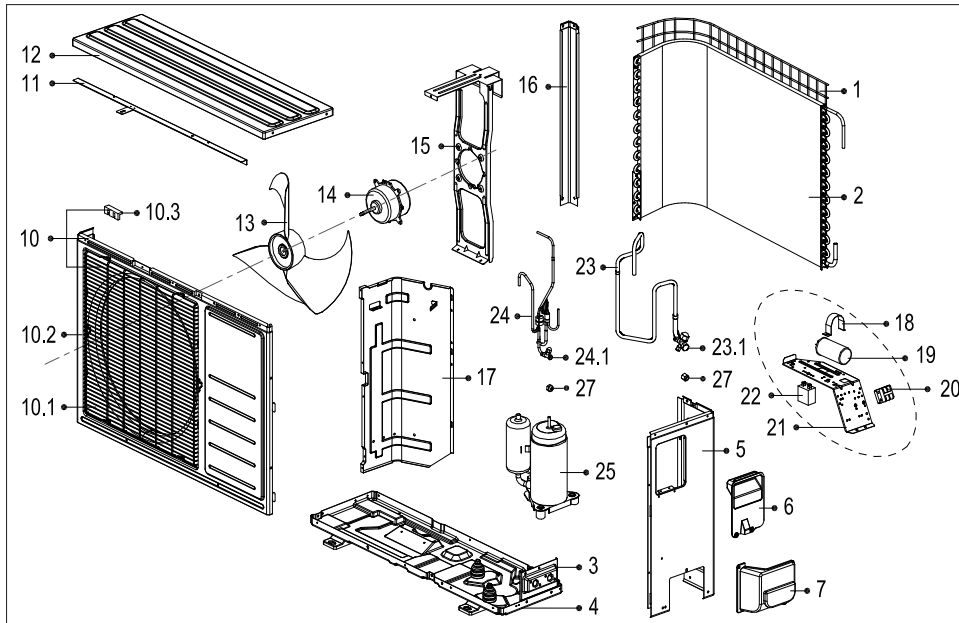


序号		数量	物料编码	备注
No.	Part Name	Quantity	BOM Code	Remark
1	Panel assembly	1.0	12122000001607	CE-KFR35G/N1Y-12F1.1(SY)
3	Structure Subassembly of Display Box	1.0	17222000002724	
3.1	VLED Display Module	1.0	17122000006874	CE-KF53G/N1Y-12F.D.01.XS2.1
4	E-Parts Cover Plate	1.0	12122000006694	
5	frame assembly	1.0	12122000001749	
5.1	Screw Cap	2.0	12122000006272	
6	Drain Hose	1.0	12100501000021	
7	Brass Nut	1.0	15500406000016	TLM-A01
7	Brass Nut	1.0	15500406000012	TLM-C03
8	Temperature Sensing Element Fixing clip	1.0	12100303000008	
9	Evaporator assembly Gas valve assemb	1.0	15822000000241	
10	Motor Bearing Cover	1.0	12122000005431	
11	Single-phase Asynchronous Motor	1.0	11002012001871	YKFG-20-4-10L
12	Bearing sleeve	1.0	12122000000350	
13	Bearing pedestal	1.0	12622000000006	
14	Cross-flow Window Rotor.	1.0	12100102000022	GL-94*613.5-N
15	Wind Guide Assembly	1.0	12122000005123	
16	Chassis Assembly	1.0	12122000004334	
16.1	stepper motor	1.0	11002010000143	SM-24-19-16-8
17	Pipe Pressing Board	1.0	12122000000445	
18	Installation Plate	1.0	12222000000012	
19	Electrical Control Box Subassembly	1.0	17222000004202	
19.1	Electrical Control Box	1.0	12122000004586	
19.2	Electrical Control Box	1.0	12122000004565	
19.3	Indoor Main Control Board Subassembly	1.0	171220000010985	SA-KF35G/N1Y-12F.D.01.NK2.14
19.4	Room Temperature Sensor	1.0	11201007000221	CGQ-WD/SW4100-L300-XHP2-P250
19.5	Temperature Sensor	1.0	11201007000322	CGQ-WD/GW4100-L350-XAP2-P320
19.6	Wire holder	1.0	17400401000020	JXZ-AD3ZG1-A(RS9103C-3/YF2004/JX-PF-3)
19.7	Power Transformer	1.0	11203103000014	TF220-EI41-10.5/55-F5
20	Electrical Control Box Cover	1.0	12122000004994	
21	Remote controller	1.0	17317000000113	
24	Filter net of cold catalyst	1.0	12100204000685	
25	Air filter	1.0	12100204000633	
26	Right side of the filter	1.0	12100204000634	

Exploded View

PAC1203711 outdoor

220-230V~ 60Hz 1Phase



序号		数量	物料编码	备注
No.	Part Name	Quantity	BOM Code	Remark
1	Rear Net	1.0	12122000007043	
2	Condenser Assembly	1.0	15822000002558	
3	Installing plate for valves	1.0	12222000002556	
4	Chassis Assembly	1.0	12222000000823	
5	Right Side Plate	1.0	12222000001904	
6	Big Handle.	1.0	12100701000015	
7	Water Collecting Cover	1.0	12122000007140	
10	Front Panel subassembly.	1.0	12222000001805	
10.1	Air Outlet Guard	1.0	12222000001880	
10.2	Front Panel	1.0	12222000001711	
10.3	Clamp of front net	6.0	12122000006844	
11	Support Board	1.0	12222000002102	
12	Top cover	1.0	12222000002407	
13	Axial fan	1.0	12100105000002	ZL-401*115*8-3K(B)
14	Single-phase Asynchronous Motor	1.0	11002012002816	YKT-36-6-38L
15	Fan Motor Holder	1.0	12222000002045	
16	Left supporting panel	1.0	12222000001339	
17	Separation plate	1.0	12222000002203	
18	Capacitor Clamp	1.0	12200203000018	
19	Compressor Capacitor(Round)	1.0	17400103000055	35UF/450V-50-P2(2000h)
20	Wire holder	1.0	17400401000023	JXZ-AZ2H-A/(RS9101/YF2001/JXO-2B/JGD-ZR2-W-1)
21	Installation board for E-parts	1.0	12222000003539	
22	Fan motor capacitor	1.0	17400101000019	2.5UF/450V TUV/VDE
23	Low Pressure Valve assembly	1.0	15422000000103	
23.1	Low Pressure Valve	1.0	15500204000033	DYF-B17N1
24	Liquid valve Assembly	1.0	15422000001779	
24.1	Liquid valve	1.0	15500208000008	GYF-A20N
25	Fixed speed rotary compressor	1.0	11103010000890	ASM106N1VDZ
27	Brass Nut	1.0	15500406000016	TLM-A01
27	Brass Nut	1.0	15500406000012	TLM-C03